

INSTRUCTION MANUAL

CZ 75



ČESKÁ ZBROJOVKA
SINCE 1936

Before handling the pistol read this manual carefully and observe the following safety instructions.

Improper and careless handling of the pistol could result in unintentional discharge and could cause injury, death or damage to property. The same consequences can be caused by unauthorized modifications or adjustments, corrosion, or use of non-standard or damaged ammunition. In these cases the manufacturer shall not be responsible in any manner whatsoever for the resultant consequences.

Before leaving the factory this pistol was tested, carefully inspected, and packed. CZ cannot accept responsibility for product handling while in transit, or upon leaving the factory. Therefore, please examine this pistol carefully at the time of purchase to ensure that it is unloaded and undamaged.

This instruction manual should always accompany this pistol even in the case of the loan or sale of the pistol.

CONTENTS

SAFETY INSTRUCTIONS	18
PISTOL DESCRIPTION AND TERMINOLOGY	21
OPERATING INSTRUCTIONS	23
Ammunition	23
Removal of the Magazine	23
Magazine Loading	23
Pistol Loading	23
Reloading During Shooting	24
Unloading the Pistol	24
Engaging the Safety Mode	24
Decocking	24
Loaded Chamber Indicator	25
Sight Adjustment	25
MAINTENANCE INSTRUCTIONS	25
Stripping for Cleaning - Disassembly	25
Firing Pin Disassembly	26
Magazine Disassembly	26
Cleaning the Pistol	26
Cleaning the Barrel Bore and the Cartridge Chamber	26
Cleaning of Other Pistol Parts	27
Preserving	27
Waste Management	27
TROUBLESHOOTING, CAUSES AND REMEDIES	28
LIST OF PARTS	29
TECHNICAL SPECIFICATIONS	30
LIST OF ILLUSTRATIONS	31

SAFETY INSTRUCTIONS

Always follow the safety instructions for your safety and the safety of others.

1. Always handle your pistol as if it were loaded.
2. Never point your pistol at anything you do not intend to shoot.
3. Never take anyone's word that a gun is unloaded.
4. Always make sure that your pistol is not loaded before laying it down, or handing it to another person.
5. Always keep and carry your pistol empty, with the hammer forward except when you intend to shoot.
6. Never abuse your pistol by using it for any purpose other than shooting.
7. Never leave the pistol cocked and ready to fire unattended.
8. Before loading your pistol be sure that the barrel bore, chamber, and action are clean and clear of obstructions. After shooting, clean the dirtied pistol as soon as possible.
9. Always use only clean, dry, original high quality commercially manufactured ammunition, which is appropriate to the caliber of your pistol.
10. Never drink alcoholic beverages or take drugs before or during shooting.
11. Always wear safety glasses and ear protection when shooting.
12. Always keep the safety on when the pistol is loaded and cocked, until you are ready to fire. Keep your pistol pointed in a safe direction when disengaging the manual safety.
13. Always keep clear and keep others clear of the ejection port.
14. Never squeeze the trigger or put your finger in the trigger guard until you are aiming at a target and ready to shoot.
15. Always be absolutely sure of your target, and the area behind it, before you squeeze the trigger. A bullet could travel through or past your target up to several hundred meters.
16. Never shoot at a hard surface such as rock, or a liquid surface such as water.
17. Never fire your pistol near an animal unless it is trained to accept the noise.
18. Never indulge in "horseplay" while holding your pistol.
19. Failure to fire: In case of failure to fire hold the firearm keeping it pointed towards the target, or a safe open area and wait 30 seconds. If a hangfire (slow ignition) has occurred, the cartridge will fire within 30 seconds. If the cartridge does not fire, eject the cartridge and examine it. If the firing pin indent on the cartridge is light, or non-existent, have the firearm examined by a competent gunsmith.
20. Always make sure your pistol is not loaded before cleaning, storing or travelling.

21. Always keep and store your pistol and ammunition in separate locked receptacles out of reach and sight of children and untrained people.
22. Never alter any parts of your pistol as the safety and proper function of your pistol could be seriously compromised.
23. Always be aware that corrosion, use of damaged ammunition, dropping the pistol on hard surfaces or other "coarse treatment" could cause damage you may not see. If something like this happens allow the pistol to be examined and tested by a competent gunsmith.

RULES OF THE SAFE HANDLING TRITIUM SIGHTS



The tritium sights MEPROLIGHT type ML-17777 for CZ pistols involve a luminous front sight (tritium radiator of 0,565 GBq activity) and a luminous rear sight (2 tritium radiators of 0,444 GBq activity) that is installed at the pistol by means of precision dovetails. Tritium in the gaseous state (99% HT and 1% HTO) is enclosed in borosilicate glass ampoules with a luminescent element and these ampoules are fixed by glue into the metallic cap of the sight so that the manipulation and storage of the sights is not exposed to any risks.

The third generation of the sights retains all the advantageous features of the preceding generation of MEPROLIGHT sights and several improvements are added:

- built-in shock absorber
- solid protective bushing providing less sensitivity against rough manipulation
- immovable crystal window for a better light output with additional protection against a damage
- tolerance against longer immersion in currently used solvents and cleaning agents
- guaranteed continuous available light intensity for the period of 12 years
- MV sealing design (the only design tested and approved by Israel armed forces) protects the sights against an accidental damage, avoids the unwanted manipulation with the light source, inhibits to penetrate the dirt into the visual system and to hide the light
- provided a finer transition between the aiming during the day and the night
- simple installation (no modification of the arm is necessary)
- no added weight nor size
- no maintenance
- no battery needed (no losses of the energy at the cold weather)

Safety instructions in case of the sights damage

In regular conditions of the storage, use and maintenance there is no risk to the user caused by emitted ionizing radiation, because it doesn't penetrate metallic caps, in which the ampoules with radiators are fixed. In case of a nearly unreal incidental damage of all ampoules in one set at the moment, when the arm is in shooting position (position of the sights closer to the shooter), the single effective radiation dose wouldn't exceed the value of 0,26 mSv. What does this value present? It is for example:

- 1/12 of the dose which is received by an ordinary inhabitant in course of a year due to the natural radioactive background (3,5 mSv / year)
- less than 1/4 of the general effective dose limit to an ordinary inhabitant

Recommended first aid at the inspiration of the gaseous tritium

The gaseous tritium state is practically inactive and causes a slight internal contamination. In case of its inspiration it is recommended to increase the intake of liquids and eventually to take some diuretic (beer with low content of alcohol) for acceleration of the body water exchange.

DUTIES OF THE TRITIUM SIGHTS OWNER

1. The sights are a radioactive radiator in the period of 6,5 years since their purchase according to the Czech Republic legislation.
2. At the purchase the owner obtains a guide with rules of the safe handling and a document on the impermeability of the radionuclidic radiators in the set (certificate of the encased radionuclidic radiator), which must be preserved and presented on request of the competent authority.
3. When handling a type approved product, which is the source of the ionizing radiation, it is necessary to respect national regulations for protection against the ionizing radiation (the appropriate national legislation).
4. In case of the ownership of more than 9 sets of sights (the total activity exceeding 10 GBq) the owner is obliged to consult the duties resulting from the appropriate national legislation at the competent authority.
5. To avoid such manipulation, when a rough mechanical damage of the sights may happen.
6. It is not allowed to carry out any changes, relating to the properties of the protection against the radiation.
7. In case of the destruction or the damage, the sights mustn't be further used. The owner is obliged to secure safely the device changed in such a way and to pass it to the distributor or the manufacturer for the safe liquidation. The same procedure to be applied for liquidation of no more used sights.
8. The manipulation with sights is governed by general principles of the protection against the ionizing radiation. At the current use there are no requested tests of impermeability during the service life of the sights.

The sights were type approved by the decision of the competent authority Ref. No. 25169/2005, index A1.

Company, eventually the responsible company representative:



Ing. Ladislav Britaňák, Purchase Director

PISTOL DESCRIPTION AND TERMINOLOGY

The names of basic pistol parts used in this Instruction Manual are presented in Fig. 1 on the inner side of the left-hand cover. Nomenclatures of all CZ 75 parts are presented in the section *List of Parts*.

The CZ 75 pistol is a semi-automatic handgun with locked breech. It is produced in several versions. Characteristic features of all versions are:

- Large capacity double-column magazine
- Comfortable grip and balance in either hand
- Good results at instinctive shooting (without aiming)
- Low trigger pull weight
- High accuracy of fire
- Long service life
- High reliability, even with various types of cartridges
- The slide stays open after the last cartridge has been fired
- Suitable for Combat shooting
- Version P-01 and all versions of SP-01 series are provided with attachment rails located at the front portion of the frame designed for special accessories mounting
- Fixed sights are fitted with a three-dot illuminating system for better aiming in poor visibility conditions, optional tritium or micrometrical sights can be fitted on request to the customer's specifications
- Versions SP-01 and SP-01 TACTICAL are provided with tritium sights as standard

Among the specific features of all versions, apart from the caliber, size, weight, magazine capacity, trigger mechanism operation, surface finish, grip plate type and other specific modifications; are the methods of securing the pistol's safety - see the following table:

Versions	Operation	Manual Safety	Decocking Device	Safety Stop on Hammer	Firing Pin Safety	Loaded Chamber Indicator
CZ 75 B	SA/DA	yes	no	yes	yes	*
CZ 75 B SA	SA	yes	no	no	yes	*
CZ 75 BD	SA/DA	no	yes	yes	yes	*
CZ 75 POLICE	SA/DA	no	yes	yes	yes	yes
CZ 75 DAO	DAO	no	no	no	yes	*
CZ 75 COMPACT	SA/DA	yes	no	yes	yes	*
CZ 75 D COMPACT	SA/DA	no	yes	yes	yes	yes / *
CZ 75 SEMICOMPACT	SA/DA	yes	no	yes	yes	*
CZ 75 P-01	SA/DA	no	yes	yes	yes	*
CZ 75 SP-01	SA/DA	yes	no	yes	yes	*
CZ 75 SP-01 SHADOW	SA/DA	yes	no	yes	no	*
CZ 75 SP-01 PHANTOM	SA/DA	no	yes	yes	yes	*
CZ 75 SP-01 TACTICAL	SA/DA	no	yes	yes	yes	*

* Loaded chamber indicator supplied on special order only.

Comments:

SA (Single Action)

The trigger mechanism operates in a single action mode of fire. The hammer is cocked manually and then after pressing the trigger the pistol is fired. The trigger travel is short, and pull weight is low. After each discharge the hammer remains cocked.

DA (Double Action)

The trigger mechanism operates in a double action mode of fire. The hammer is cocked, released and the pistol fired by one pull of the trigger. The trigger travel is longer, and trigger pull weight is higher than at SA mode of fire.

DAO (Double Action Only)

The trigger mechanism only operates in a double action mode of fire. The hammer returns to the down position after each shot, and for the subsequent shots must be cocked again by pulling the trigger.

Safety Stop on the Hammer

A half-cock safety notch is on the hammer so as to prevent it from striking the firing pin when the hammer is manually cocked, and a thumb could slip. When the hammer is on the safety stop, it is not leaning against the firing pin stop, but its position is further back.

Firing Pin Safety

The firing pin safety keeps the firing pin blocked until the trigger is pulled. This safety device minimizes the risk of accidental discharge through mishandling such as when a loaded pistol is dropped.

Decocking

Serves for the lowering of the hammer from the cocked position to the hammer safety notch position. There is no necessity to manipulate the trigger and hammer manually. This device is especially useful when a cartridge is loaded in the chamber. In this state, when the hammer is decocked, the pistol is safe for all normal handling and yet is ready for immediate use.

OPERATING INSTRUCTIONS

Ammunition

Use only factory manufactured ammunition of appropriate caliber, which are in compliance with CIP regulations (International Proof Commission for Firearms) or SAAMI (Sporting Arms and Ammunition Manufacturers' Institute Inc. of the United States). The use of other cartridges could damage the handgun or cause injury to the shooter.

Removal of the Magazine

Hold the pistol in your right/left hand and depress the magazine catch with the thumb/middle finger. The magazine will slightly protrude from its housing about 5 to 10 mm and then it can be removed with the other hand.

Magazine Loading

With the open end up, grasp the magazine in one hand. Place a cartridge on the magazine follower. Press the cartridge down and back until it touches the rear flat edge of the magazine. Place the next cartridge on top of the previous cartridge and press down and back (Fig. 2). We recommend that when some cartridges are already loaded in the magazine, depress them slightly with the plastic loading tool provided as accessory.

The number of cartridges can be checked through the inspection holes in the sides of the magazine. Do not try to exceed the magazine capacity - doing so can cause a feeding failure.

Pistol Loading

ALWAYS MAKE SURE THE PISTOL IS POINTED IN A SAFE DIRECTION WHEN LOADING!

Insert a loaded magazine and ensure that it has engaged the magazine catch.

Hold the pistol by the grip with one hand, and with the thumb and index finger grasp the serrated finger grips on both sides of the slide. Retract the slide to the stop and allow it to snap forward (Fig. 3). This procedure cocks the hammer and inserts a cartridge into the chamber. The pistol is now ready to fire. If you do not intend to fire immediately, ensure the pistol safety by some of the methods mentioned in the section: *Engaging the Safety Mode* (for versions with no manual safety refer to the section *Decocking*).

Reloading During Shooting

When the last cartridge has been fired the slide will stay to the rear. Remove the emptied magazine and replace it with a loaded one. Thumb down the slide stop with the shooting hand (Fig. 4), or draw back the slide with the other hand and allow it to snap forward (Fig. 3). The pistol is again loaded and ready to fire.

Unloading the Pistol

ALWAYS MAKE SURE THE PISTOL IS POINTED IN A SAFE DIRECTION!

- Remove the magazine
- Draw back the slide and verify the last cartridge has been extracted from the chamber and ejected
- Let the slide snap fully forward
- Depress the trigger (dry fire)

Engaging the Safety Mode

The version equipped with a decocking device is not covered in this section!

Push the safety up to the Safety-On position (Fig. 5) until the red warning dot is covered. The safety in this position blocks the trigger mechanism and slide, thus preventing the pulling of the trigger and operating the slide. The safety can be engaged only when the hammer is cocked, and for this reason it is applied especially in the case of a short-term interruption of shooting.

Besides the method previously described it is possible to put the pistol into a safety mode and still be ready to fire immediately:

Load the pistol. Grasp the grip, **POINT IN A SAFE DIRECTION**. With thumb press on the grooved area (thumb piece) of the hammer, pull the trigger and release the hammer slowly ahead (Fig. 6) until it rests on the action or safety thumb of the hammer. Release the trigger. Practise this operation very carefully to avoid an accidental discharge! We strongly recommend to practise this operation beforehand with the pistol unloaded!

In this state the pistol is safe for all normal handling and at the same time ready for immediate use. The design of this handgun incorporates the feature that the manual safety can not be applied when the hammer is not cocked to avoid reducing the readiness of the pistol for use by accidental engaging of the manual safety.

Please remember that the safest way to secure a pistol is to unload it and store it in a safe place!

Decocking

The version equipped with a manual safety is not covered in this section!

MAKE SURE THE PISTOL IS POINTED IN A SAFE DIRECTION and thumb down the decocking control lever (Fig. 7).

Pressing down the decocking control lever actuates the lowering of the hammer from the cocked position to the hammer safety notch position, without any need to pull the trigger. Even if there is a cartridge in the chamber the pistol is (hammer decocked) safe for all normal handling in this state, and ready for immediate use in a Double Action mode of fire.

Loaded Chamber Indicator

The protrusion of the loaded chamber indicator above the top surface of the slide indicates a cartridge loaded in the cartridge chamber (supplied on special order only). This protrusion can be checked both by sight and by touch.

Sight Adjustment

The pistol sights were sighted in at the manufacturing plant at a distance of 25 m so that the mean point of impact approximately conforms to the point of aim.

Windage correction can be carried out by the drifting of the rear sight in the dovetail and then secured in its position by an indentation. Elevation correction is carried out by exchanging the rear sights for higher or lower sizes.

In case of need there is an option to exchange the usual rear sights for an adjustable sight of suitable type, or as the case may be to also exchange the front sight, which is secured by a roll pin. These adjustments should be entrusted to a competent gunsmith.

CAUTION:

CZ 75 P-01 version: Before starting with rear sight windage adjustments it is necessary to loosen the screw securing the rear sight against falling-out. After completing rear sight adjustment procedure it is necessary to tighten the screw back again.

MAINTENANCE INSTRUCTIONS

Stripping for Cleaning - Disassembly

POINT YOUR PISTOL IN A SAFE DIRECTION!

1. Remove the magazine. The pistol must not be disassembled with the magazine inserted!
2. If the pistol is equipped with a manual safety shift it to the „Safety-Off“ position in order that the slide can be manipulated.
3. **MAKE SURE THAT THERE IS NO CARTRIDGE IN THE CHAMBER!**
4. Retract the hammer slightly back and then release it, until it stops on half-cock (safety) notch position. In this state the handling which follows will be easier.
5. Put your left thumb through the trigger guard and with the other fingers grasp the top of the front part of the slide firmly (Fig. 8). Push the slide slightly back until the two vertical lines on the rear part of the frame and slide are in line with each other.

6. KEEPING THE LINES ALIGNED push (tap) the slide stop from the right hand side of the weapon, i.e. using the magazine base (Fig. 9). Remove the slide stop from the left.
7. Pull the slide and the barrel forward off the frame.
8. Remove the recoil spring and guide and finally the barrel.

No further disassembly is needed for routine maintenance. When a great number of cartridges has been fired, it is advisable to also disassemble the firing pin and magazine.

Firing Pin Disassembly

Firing pin disassembly procedure and cleaning should be entrusted to a competent gunsmith.

Magazine Disassembly

To remove the magazine base, push on the base lock which sticks out through a hole in the base and slide the base about 5 mm towards the front of the magazine. Cover the base with your thumb to prevent losing the magazine spring and with the other hand take off the base from its guiding rails. Be careful during the disassembly as the spring could fly out, or even cause an injury.

CAUTION:

No further disassembly of your pistol is recommended. Should your pistol require adjustment or repair be sure the task is entrusted to a competent gunsmith!

Cleaning the Pistol

Clean the pistol

- Each time you use it
- If you get your pistol wet
- As soon as possible after shooting
- At least once a year in a temperate climate
- As often as once a month in a tropical climate, or other demanding environment

Cleaning the Barrel Bore and the Cartridge Chamber

If the pistol has not been fired or if only a few cartridges have been fired, clean the barrel bore and cartridge chamber with a clean patch attached to the cleaning rod. Repeat the cleaning, changing patches, until the last patch comes out clean.

When the barrel bore is very dirty, apply a gun cleaning solution using a cleaning brush. Let the solvent act for about 10 minutes (this time may vary depending on the solvent agent being used). Then thoroughly scrub out the barrel bore. Subsequently, dry the barrel bore and cartridge chamber with a clean patch and check that all powder residues or fouling have been removed. If necessary repeat this procedure.

The cleaning rod and the brush must be inserted into the barrel bore from the chamber, to prevent wear or damage to the muzzle. Pass the brush all the way through the barrel bore before reversing the movement. If you try to change directions with the brush in the barrel, the brush could stick.

Cleaning of Other Pistol Parts

Other parts of the pistol (including the external surfaces of the barrel) should be cleaned with a dry cloth, old toothbrush, brass bristle brush or a wooden scraper. Preserving oil or paraffin oil can be used for proper cleaning. Never use an agent designed for barrel bore cleaning. These solutions could remain in the joints, and after some time could cause corrosion.

Check that cloth particles or brush bristles have not become lodged in any part of the pistol.

Preserving

When the barrel bore, cartridge chamber, and all accessible parts are clean and dry, wipe these parts with a cloth soaked in gun oil or apply the oil in a spray. Remove all excess oil.

Before shooting always wipe the barrel bore dry. At very low temperatures remove the oil from all accessible parts or apply a lubricant prepared especially for these conditions.

Use thick preserving agents such as preserving grease only for a long-term storage in demanding climate environments, and before any use of the pistol it must be thoroughly removed from all parts of the firearm.

Waste Management

When used properly, the materials used in the product and packaging have no adverse effects on human health or the environment. When disposing of the product or its packaging, metal parts (steel and non-ferrous metals), plastics, wood, paper and cardboard should be stored separately in collecting containers intended specifically for that purpose.

TROUBLESHOOTING, CAUSES AND REMEDIES

If your pistol is properly used and maintained, malfunctions will rarely occur. However, if such a situation does occur, please observe the following instructions.

CAUTION - If a malfunction occurs, the possibility of unintentional discharge is substantially increased. For this reason, carefully observe previously mentioned *Safety Instructions*. Keep the pistol pointed in a safe direction, do not turn the pistol against your body or anyone else's! Do not place your hands in front of the barrel!

If you use your pistol for self-defense, or in law enforcement, please acquire so-called "dummy cartridges" and practice fast clearing of malfunctions as described below.

Malfunction	Possible Cause	Remedy
A cartridge has not been fed into the chamber or the slide has not fully locked with the barrel	Magazine is not fully inserted or is damaged. The pistol or cartridges are fouled (dirty) or too heavily greased.	Insert magazine properly or change magazine. Clean the pistol and cartridges and wipe them dry or as case may be slightly lubricate.
Misfire	Defective cartridge. Firing pin hole fouled (dirty) or improper lubrication agent used under low temperature conditions.	Pull the trigger again. If a discharge is not initiated, follow the Safety Instructions according to point 19. Disassemble and clean the firing pin or use a low temperature lubricant.
A shot sounds "weak" combined with failure to eject the cartridge case	The cartridge has been activated but no powder load was inside the cartridge case.	Unload the pistol and check that the bullet is not lodged in the barrel. A subsequent shot could cause damage to the barrel.
The spent case has not been ejected	Cartridge chamber, extractor or ammunition dirty, or unsuitable lubricant in low temperature environment.	Clean and wipe the pistol dry or lubricate lightly with a suitable agent. Use new and clean ammunition.

If you cannot clear away any malfunction in the manner described above, entrust the pistol to a competent gunsmith for inspection and repair.

LIST OF PARTS

1	Frame *	36	Magazine Body *
2	Slide Stop *	37	Magazine Base *
3	Slide Stop Spring *	38	Magazine Base Lock
4	Slide Stop Spring Pin	39	Magazine Spring *
5	Trigger *	40	Follower *
6	Trigger Pin	41	Recoil Spring *
7	Trigger Bar *	42	Recoil Spring Guide *
8	Trigger Spring	43	Barrel *
9	Pin (3x)	44	Slide *
10	Ejector *	45	Front Sight
11	Sear *	46	Front Sight Pin
12	Sear Spring	47	Loaded Chamber Indicator *
13	Sear Pin *	48	Loaded Chamber Indicator Spring *
14	Firing Pin Block Lever	49	Loaded Chamber Indicator Nut *
15	Firing Pin Block Lever Spring	50	Extractor *
16	Hammer *	51	Extractor Pin
17	Disconnecter *	52	Extractor Spring
18	Hammer Pin	53	Rear Sight *
19	Hammer Pin Retaining Peg	54	Firing Pin
20	Main Spring Strut *	55	Firing Pin Spring
21	Main Spring	56	Securing Screw *
22	Main Spring Plug *	57	Firing Pin Coiled Pin
23	Main Spring Plug Pin	58	Firing Pin Block Stop
24	Magazine Guide	59	Firing Pin Block Stop Spring
25	Magazine Guide Pin	60	Hammer Decocking Lever Controller *
26	Grip Panel - Left *	61	Decocking Lever *
27	Grip Panel - Right *	62	Decocking Lever Spring *
28	Grip Panel Screw (2x)	63	Fixing Insert *
29	Safety *	64	Safety - Right *
30	Safety Detent Plunger *	65	Safety Detent Plunger - Right *
31	Safety Detent Plunger Spring *	66	Hammer Decocking Lever Controller - Right *
32	Magazine Catch *	67	Fan-shaped Washer (2x) *
33	Magazine Catch Spring		
34	Trigger Bar Spring		
35	Magazine Catch Spring Screw		

Comments:

The parts marked * differ according to versions, or as case may be in some versions are entirely missing.

TECHNICAL SPECIFICATIONS

Model	CZ 75 B CZ 75 B SA CZ 75 BD CZ 75 DAO CZ 75 POLICE	CZ 75 COMPACT ^{*3}	CZ 75 D COMPACT CZ 75 P-06	CZ 75 P-01	CZ 75 SEMICOMPACT	CZ 75 SP-01 PHANTOM	CZ 75 SP-01 SHADOW	CZ 75 SP-01 TACTICAL	
Caliber	9 mm Luger 9 x 21 ^{*2} .40 S&W	9 mm Luger 9 x 21 ^{*6} .40 S&W ^{*7}							
Overall length [mm]	206	184	184	184	184	210	209	207	
Height [mm]	138	128	128 / 142 ^{*7}	137	138	150	150	147	
Width [mm]	35	35	35 / 37 ^{*7}	37	35	38	42	37	
Weight with empty magazine [g]	1000	920	720 / 820 ^{*7}	800	960	800	1170	1180	
Frame	Steel / Light Alloy ^{*4} / Stainless Steel ^{*5}	Steel	Steel / Light Alloy	Light Alloy	Steel	Polymer	Steel	Steel	
Barrel length (without glide ramp) [mm]	114	92,5	92,5	92,5	92,5	114	114	114	
Sight radius [mm]	155	135	135	135	135	155	163	155	
Magazine capacity	9 mm Luger 9 x 21 .40 S&W	16 ^{*1} 16 ^{*1} 10 ^{*1}	14 ^{*1} 14 ^{*1} 10 ^{*1}	14 ^{*1} - 10 ^{*7}	10 ^{*1} - -	16 ^{*1} - -	18 - -	18 18 -	18 - -

*1 To some countries, the CZ 75 pistols are supplied with a reduced magazine capacity in compliance with local laws

*2 Not available for CZ 75 B SA version

*3 The dimensions apply to the basic version

*4 Applies only to the CZ 75 B and CZ 75 BD versions

*5 Applies only to the CZ 75 B version

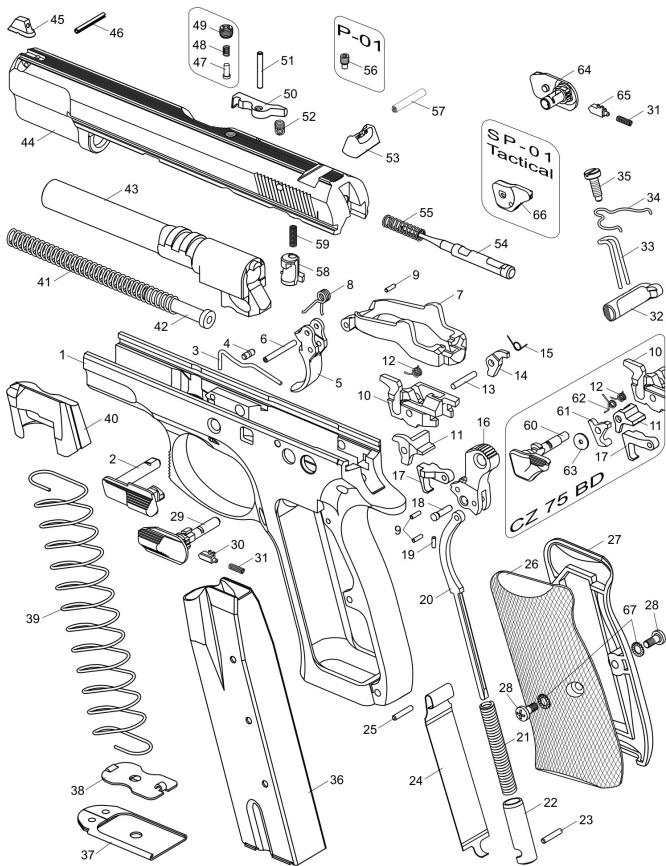
*6 Applies only to the CZ 75 SP-01 SHADOW version

*7 Applies only to the CZ 75 P-06 version

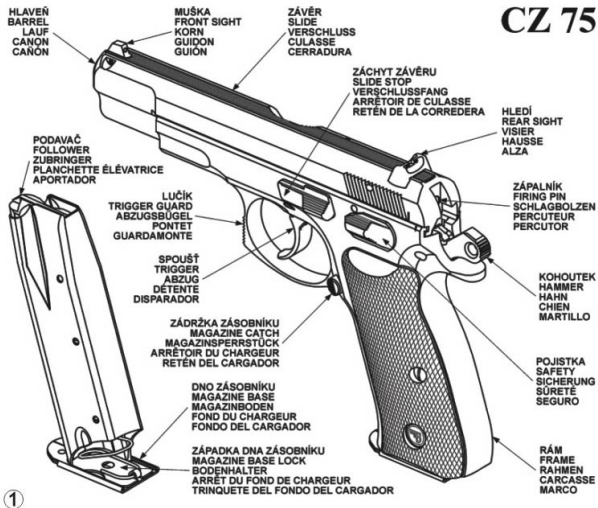
LIST OF ILLUSTRATIONS

1. The names of basic parts
2. Magazine loading
3. Pistol loading
4. Slide release from its "rear lock-up" position by depressing slide stop
5. Shifting the safety to the "SAFETY-ON" position
6. Release of the hammer in the version equipped with the manual safety
7. Release of the hammer in the version equipped with no manual safety
8. Positioning of the slide during disassembly
9. Slide stop removal using the magazine base to facilitate this operation

The Company, reserves the right to make any changes it thinks necessary to improve its models or to meet any requirements of manufacturing or commercial nature.



CZ 75





④



⑤



⑥



⑦



⑧



⑨