

# INSTRUCTION MANUAL

## CZ 85



ČESKÁ ZBROJOVKA  
SINCE 1936

**Before handling the pistol read this manual carefully and observe the following safety instructions.**

Improper and careless handling of the pistol could result in unintentional discharge and could cause injury, death or damage to property. The same consequences can be caused by unauthorized modifications or adjustments, corrosion, or use of non-standard or damaged ammunition. In these cases the manufacturer shall not be responsible in any manner whatsoever for the resultant consequences. Before leaving the factory this pistol was tested, carefully inspected, and packed. CZ cannot accept responsibility for product handling while in transit, or upon leaving the factory. Therefore, please examine this pistol carefully at the time of purchase to ensure that it is unloaded and undamaged.

This instruction manual should always accompany this pistol even in the case of the loan or sale of the pistol.

## CONTENTS

SAFETY INSTRUCTIONS	3
PISTOL DESCRIPTION AND TERMINOLOGY	4
OPERATING INSTRUCTIONS	6
Ammunition	6
Removal of the Magazine	6
Magazine Loading	6
Pistol Loading	6
Reloading During Shooting	6
Unloading the Pistol	7
Engaging the Safety Mode	7
Decocking	7
Loaded Chamber Indicator	8
Sight Adjustment	8
MAINTENANCE INSTRUCTIONS	8
Stripping for Cleaning - Disassembly	8
Firing Pin Disassembly	9
Magazine Disassembly	9
Cleaning the Pistol	9
Cleaning the Barrel Bore and the Cartridge Chamber	10
Cleaning of Other Pistol Parts	10
Preserving	10
Waste Management	10
LIST OF PARTS	11
TROUBLESHOOTING, CAUSES AND REMEDIES	12
TECHNICAL SPECIFICATIONS	13
LIST OF ILLUSTRATIONS	13

**SAFETY INSTRUCTIONS**

Always follow the safety instructions for your safety and the safety of others.

1. Always handle your pistol as if it were loaded.
2. Never point your pistol at anything you do not intend to shoot.
3. Never take anyone's word that a gun is unloaded.
4. Always make sure that your pistol is not loaded before laying it down, or handing it to another person.
5. Always keep and carry your pistol empty, with the hammer forward except when you intend to shoot.
6. Never abuse your pistol by using it for any purpose other than shooting.
7. Never leave the pistol cocked and ready to fire unattended.
8. Before loading your pistol be sure that the barrel bore, chamber, and action are clean and clear of obstructions. After shooting, clean the dirtied pistol as soon as possible.
9. Always use only clean, dry, original high quality commercially manufactured ammunition, which is appropriate to the caliber of your pistol.
10. Never drink alcoholic beverages or take drugs before or during shooting.
11. Always wear safety glasses and ear protection when shooting.
12. Always keep the safety on when the pistol is loaded and cocked, until you are ready to fire. Keep your pistol pointed in a safe direction when disengaging the manual safety.
13. Always keep clear and keep others clear of the ejection port.
14. Never squeeze the trigger or put your finger in the trigger guard until you are aiming at a target and ready to shoot.
15. Always be absolutely sure of your target, and the area behind it, before you squeeze the trigger. A bullet could travel through or past your target up to several hundred meters.
16. Never shoot at a hard surface such as rock, or a liquid surface such as water.
17. Never fire your pistol near an animal unless it is trained to accept the noise.
18. Never indulge in "horseplay" while holding your pistol.
19. Failure to fire: In case of failure to fire hold the firearm keeping it pointed towards the target, or a safe open area and wait 30 seconds. If a hangfire (slow ignition) has occurred, the cartridge will fire within 30 seconds. If the cartridge does not fire, eject the cartridge and examine it. If the firing pin indent on the cartridge is light, or non-existent, have the firearm examined by a competent gunsmith.
20. Always make sure your pistol is not loaded before cleaning, storing or travelling.

21. Always keep and store your pistol and ammunition in separate locked receptacles out of reach and sight of children and untrained people.
22. Never alter any parts of your pistol as the safety and proper function of your pistol could be seriously compromised.
23. Always be aware that corrosion, use of damaged ammunition, dropping the pistol on hard surfaces or other "coarse treatment" could cause damage you may not see. If something like this happens allow the pistol to be examined and tested by a competent gunsmith.

## PISTOL DESCRIPTION AND TERMINOLOGY

The names of basic pistol parts used in this Instruction Manual are presented in Fig. 1 on the inner side of the left-hand cover. Nomenclature of all CZ 85 parts are presented in the section *List of Parts*.

The CZ 85 pistol is a semi-automatic handgun with locked breech. It is produced in several versions. Characteristic features of all versions are:

- A universal handgun for both left-handers and right-handers
- Selective SA/DA firing mechanism operation
- Large capacity double-column magazine
- Comfortable grip and balance in either hand
- Good results at instinctive shooting (without aiming)
- Low trigger pull weight
- High accuracy of fire
- Long service life
- High reliability, even with various types of cartridges
- The slide stays open after the last cartridge has been fired
- Suitable for Combat shooting
- The sights are fitted with a three-dot illuminating system for better aiming in poor visibility conditions. The COMBAT version features an adjustable rear sight by means of the micrometer screws.

Versions	Operation	Manual Safety	Decocking Device	Safety Stop on Hammer	Firing Pin Safety	Loaded Chamber Indicator
CZ 85 B	SA/DA	yes	no	yes	yes	*
CZ 85 BD	SA/DA	no	yes	yes	yes	*
CZ 85 COMBAT	SA/DA	yes	no	yes	no	*

\* Loaded chamber indicator supplied on special order only

Comments:

*SA (Single Action)*

The trigger mechanism operates in a single action mode of fire. The hammer is cocked manually and then after pressing the trigger the pistol is fired. The trigger travel is short, and pull weight is low. After each discharge the hammer remains cocked.

*DA (Double Action)*

The trigger mechanism operates in a double action mode of fire. The hammer is cocked, released and the pistol fired by one pull of the trigger. The trigger travel is longer, and trigger pull weight is higher than at SA mode of fire.

*Decocking*

Serves for the lowering of the hammer from the cocked position to the hammer safety notch position. There is no necessity to manipulate the trigger and hammer manually. This device is especially useful when a cartridge is loaded in the chamber. In this state, when the hammer is decocked, the pistol is safe for all normal handling and yet is ready for immediate use.

*Firing Pin Safety*

The firing pin safety keeps the firing pin blocked until the trigger is pulled. This safety device minimizes the risk of accidental discharge through mishandling such as when a loaded pistol is dropped.

*Safety Stop on the Hammer*

A half-cock safety notch is on the hammer so as to prevent it from striking the firing pin when the hammer is manually cocked, and a thumb could slip. When the hammer is on the safety stop, it is not leaning against the firing pin stop, but its position is further back.

Note:

The CZ 85 COMBAT version uses a trigger incorporating an adjusting screw (located on its upper part) for overtravel regulation. The screw has been set by the manufacturers to its optimum position and secured by an adhesive. If you change the setting, check the trigger mechanism operation carefully and secure it again with an adhesive.

## OPERATING INSTRUCTIONS

### Ammunition

Use only factory-manufactured ammunition of appropriate caliber, which are in compliance with CIP regulations (International Proof Commission for Firearms) or SAAMI (Sporting Arms and Ammunition Manufacturers' Institute Inc. of the United States). The use of other cartridges could damage the handgun or cause injury to the shooter.

### Removal of the Magazine

Grip the pistol in your right (left) hand and by the thumb (middle finger) depress the magazine catch. The magazine disengages and falls out of the frame. This pistol model is equipped with the user type magazine catch which can be reversed by gunsmith for the right or left hand operation.

### Magazine Loading

With the open end up, grasp the magazine in one hand. Place a cartridge on the magazine follower. Press the cartridge down and back until it touches the rear flat edge of the magazine. Place the next cartridge on top of the previous cartridge and press down and back. We recommend that when some cartridges are already loaded in the magazine, depress them slightly with the thumb of the hand which holds the magazine.

The number of cartridges can be checked through the inspection holes in the sides of the magazine. Do not try to exceed the magazine capacity - doing so can cause a feeding failure.

### Pistol Loading

**ALWAYS MAKE SURE THE PISTOL IS POINTED IN A SAFE DIRECTION WHEN LOADING!**

Insert a loaded magazine and ensure that it has engaged the magazine catch.

Hold the pistol by the grip with one hand, and with the thumb and index finger grasp the serrated finger grips on both sides of the slide. Retract the slide to the stop and allow it to snap forward (Fig. 2). This procedure cocks the hammer and inserts a cartridge into the chamber. The pistol is now ready to fire. If you do not intend to fire immediately, ensure the pistol safety by some of the methods mentioned in the section: *Engaging the Safety Mode* (for versions with no manual safety refer to the section *Decocking*).

### Reloading During Shooting

When the last cartridge has been fired the slide will stay to the rear. Remove the emptied magazine and replace it with a loaded one. Thumb down the slide stop with the shooting hand (Fig. 3), or draw back the slide with the other hand and allow it to snap forward (Fig. 2). The pistol is again loaded and ready to fire.

### Unloading the Pistol

ALWAYS MAKE SURE THE PISTOL IS POINTED IN A SAFE DIRECTION!

- Remove the magazine
- Draw back the slide and verify the last cartridge has been extracted from the chamber and ejected
- Let the slide snap fully forward
- Depress the trigger (dry fire)

### Engaging the Safety Mode

The version equipped with a decocking device is not covered in this section!

Push the safety up to the Safety-On position (Fig. 4) until the red warning dot is covered. The safety in this position blocks the trigger mechanism and slide, thus preventing the pulling of the trigger and operating the slide. The safety can be engaged only when the hammer is cocked, and for this reason it is applied especially in the case of a short-term interruption of shooting.

Besides the method previously described it is possible to put the pistol into a safety mode and still be ready to fire immediately:

Load the pistol. Grasp the grip, POINT IN A SAFE DIRECTION. With thumb press on the grooved area (thumb piece) of the hammer, pull the trigger and release the hammer slowly ahead (Fig. 5) until it rests on the action or safety thumb of the hammer. Release the trigger. Practise this operation very carefully to avoid an accidental discharge! We strongly recommend to practise this operation beforehand with the pistol unloaded!

In this state the pistol is safe for all normal handling and at the same time ready for immediate use. The design of this handgun incorporates the feature that the manual safety can not be applied when the hammer is not cocked to avoid reducing the readiness of the pistol for use by accidental engaging of the manual safety.

Please remember that the safest way to secure a pistol is to unload it and store it in a safe place!

### Decocking

The version equipped with a manual safety is not covered in this section!

MAKE SURE THE PISTOL IS POINTED IN A SAFE DIRECTION and thumb down the decocking control lever (Fig. 6).

Pressing down the decocking control lever actuates the lowering of the hammer from the cocked position to the hammer safety notch position, without any need to pull the trigger. Even if there is a cartridge in the chamber the pistol is (hammer decocked) safe for all normal handling in this state, and ready for immediate use in a Double Action mode of fire.

### Loaded Chamber Indicator

The protrusion of the loaded chamber indicator above the top surface of the slide indicates a cartridge loaded in the cartridge chamber (supplied on special order only). This protrusion can be checked both by sight and by touch.

### Sight Adjustment

The pistol sights were sighted in at the manufacturing plant at a distance of 25 m so that the mean point of impact approximately conforms to the point of aim.

Windage correction can be carried out by the drifting of the rear sight in the dovetail and then secured in its position by an indentation.

Elevation correction is carried out by exchanging the rear sights for higher or lower sizes.

In case of need there is an option to exchange the usual rear sights for an adjustable sight of suitable type, or as the case may be to also exchange the front sight, which is secured by a roll pin. These adjustments should be entrusted to a competent gunsmith.

The LPA rear sight enables corrections for elevation and windage to be carried out through the use of the micrometer screws. The screw elevation correction is marked with an arrow and the UP word, the screw for windage correction is marked with an arrow and the letter R (RIGHT).

ATTENTION - the right hand sight of the screw is designed for use in corrections. The left-hand end intentionally has a narrower slot. So the screwdriver enclosed will not fit. The screws are fixed by spring loaded ball bearings, which create the divisions, turning of the screw by one division, shifts the point of impact at 25 m approximately 0,7 cm.

## MAINTENANCE INSTRUCTIONS

### Stripping for Cleaning - Disassembly

POINT YOUR PISTOL IN A SAFE DIRECTION!

1. Remove the magazine. The pistol must not be disassembled with the magazine inserted!
2. Put the safety to "OFF" position, in order to release the movement of the slide (not valid for versions with no manual safety).
3. MAKE SURE THAT THERE IS NO CARTRIDGE IN THE CHAMBER!
4. Retract the hammer slightly back and then release it, until it stops on half-cock (safety) notch position. In this state the handling which follows will be easier.
5. Put your left thumb through the trigger guard and with the other fingers grasp the top of the front part of the slide firmly (Fig. 7). Push the slide slightly back until the two vertical lines on the rear part of the frame and slide are in line with each other.



6. KEEPING THE LINES ALIGNED push (tap) the slide stop from the right hand side of the weapon (the left one), e.g. using the magazine base (Fig. 8). Remove the slide stop from the left.
7. Pull the slide and the barrel forward off the frame.
8. Remove the recoil spring and guide and finally the barrel.

No further disassembly is needed for routine maintenance. When a great number of cartridges has been fired, it is advisable to also disassemble the firing pin and magazine.

### **Firing Pin Disassembly**

Push in the rear end of firing pin using a suitable tool, below the level of the firing pin stop, and shift the firing pin stop approximately 2 mm down (Fig. 9). Then cover the firing pin stop with your thumb in order not to lose the spring-loaded firing pin and with the other hand pull the firing pin stop completely off the slide. Be very careful at this stage of the disassembly procedure, as the firing pin is spring-loaded and could fly out, getting lost, or even causing injury.

If you have a pistol with a firing pin block safety, entrust this disassembly procedure and cleaning to a competent gunsmith!

### **Magazine Disassembly**

To remove the magazine base, push on the base lock which sticks out through a hole in the base and slide the base about 5 mm towards the front of the magazine. Cover the base with your thumb to prevent losing the magazine spring and with the other hand take off the base from its guiding rails. Be careful during the disassembly as the spring could fly out, or even cause an injury.

### **CAUTION:**

No further disassembly of your pistol is recommended. Should your pistol require adjustment or repair be sure the task is entrusted to a competent gunsmith!

### **Cleaning the Pistol**

Clean the pistol

- Each time you use it
- If you get your pistol wet
- As soon as possible after shooting
- At least once a year in a temperate climate
- As often as once a month in a tropical climate, or other demanding environment

**Cleaning the Barrel Bore and the Cartridge Chamber**

If the pistol has not been fired or if only a few cartridges have been fired, clean the barrel bore and cartridge chamber with a clean patch attached to the cleaning rod. Repeat the cleaning, changing patches, until the last patch comes out clean.

When the barrel bore is very dirty, apply a gun cleaning solution using a cleaning brush. Let the solvent act for about 10 minutes (this time may vary depending on the solvent agent being used). Then thoroughly scrub out the barrel bore. Subsequently, dry the barrel bore and cartridge chamber with a clean patch and check that all powder residues or fouling have been removed. If necessary repeat this procedure.

The cleaning rod and the brush must be inserted into the barrel bore from the chamber, to prevent wear or damage to the muzzle. Pass the brush all the way through the barrel bore before reversing the movement. If you try to change directions with the brush in the barrel, the brush could stick.

**Cleaning of Other Pistol Parts**

Other parts of the pistol (including the external surfaces of the barrel) should be cleaned with a dry cloth, old toothbrush, brass bristle brush or a wooden scraper. Preserving oil or paraffin oil can be used for proper cleaning. Never use an agent designed for barrel bore cleaning. These solutions could remain in the joints, and after some time could cause corrosion.

Check that cloth particles or brush bristles have not become lodged in any part of the pistol.

**Preserving**

When the barrel bore, cartridge chamber, and all accessible parts are clean and dry, wipe these parts with a cloth soaked in gun oil or apply the oil in a spray. Remove all excess oil.

Before shooting always wipe the barrel bore dry. At very low temperatures remove the oil from all accessible parts or apply a lubricant prepared especially for these conditions.

Use thick preserving agents such as preserving grease only for a long-term storage in demanding climate environments, and before any use of the pistol it must be thoroughly removed from all parts of the firearm.

**Waste Management**

When used properly, the materials used in the product and packaging have no adverse effects on human health or the environment. When disposing of the product or its packaging, metal parts (steel and non-ferrous metals), plastics, wood, paper and cardboard should be stored separately in collecting containers intended specifically for that purpose.

## LIST OF PARTS

1 Frame *	35 Magazine Catch Spring Screw
2 Slide Stop *	36 Magazine Body *
3 Slide Stop Spring	37 Magazine Base
4 Slide Stop Spring Pin	38 Magazine Base Lock
5 Trigger *	39 Magazine Spring *
6 Trigger Pin	40 Follower *
7 Trigger Bar *	41 Recoil Spring *
8 Trigger Spring	42 Recoil Spring Guide *
9 Pin (3x)	43 Barrel *
10 Ejector *	44 Slide *
11 Sear *	45 Front Sight
12 Sear Spring	46 Front Sight Pin
13 Sear Pin *	47 Loaded Chamber Indicator *
14 Firing Pin Block Lever *	48 Loaded Chamber Indicator Spring *
15 Firing Pin Block Lever Spring *	49 Loaded Chamber Indicator Nut *
16 Hammer *	50 Extractor *
17 Disconnecter *	51 Extractor Pin
18 Hammer Pin	52 Extractor Spring
19 Hammer Pin Retaining Peg	53 Rear Sight
20 Main Spring Strut	54 Firing Pin *
21 Main Spring	55 Firing Pin Spring
22 Main Spring Plug *	56 Firing Pin Stop *
23 Main Spring Plug Pin	57 Firing Pin Coiled Pin *
24 Magazine Guide	58 Firing Pin Block Stop *
25 Magazine Guide Pin	59 Firing Pin Block Stop Spring *
26 Grip Panel - Left *	60 Hammer Decocking Lever Controller *
27 Grip Panel - Right *	61 Decocking Lever *
28 Grip Panel Screw (2x) *	62 Decocking Lever Spring *
29 Safety - Left *	63 Safety - Right *
30 Safety Detent Plunger - Left *	64 Safety Detent Plunger - Right *
31 Safety Detent Plunger Spring (2x) *	65 Slide Stop - Right *
32 Magazine Catch *	66 Trigger Overtravel Adjusting Screw *
33 Magazine Catch Spring	
34 Trigger Bar Spring	

Comments:

The parts marked \* differ according to versions, or as case may be in some versions are entirely missing.

## TROUBLESHOOTING, CAUSES AND REMEDIES

If your pistol is properly used and maintained, malfunctions will rarely occur. However, if such a situation does occur, please observe the following instructions.

**CAUTION** - If a malfunction occurs, the possibility of unintentional discharge is substantially increased. For this reason, carefully observe previously mentioned *Safety Instructions*. Keep the pistol pointed in a safe direction, do not turn the pistol against your body or anyone else's! Do not place your hands in front of the barrel!

If you use your pistol for self-defense, or in law enforcement, please acquire so-called "dummy cartridges" and practice fast clearing of malfunctions as described below.

Malfunction	Possible Cause	Remedy
A cartridge has not been fed into the chamber or the slide has not fully locked with the barrel	Magazine is not fully inserted or is damaged. The pistol or cartridges are fouled (dirty) or too heavily greased.	Insert magazine properly or change magazine. Clean the pistol and cartridges and wipe them dry or as case may be slightly lubricate.
Misfire	Defective cartridge. Firing pin hole fouled (dirty) or improper lubrication agent used under low temperature conditions.	Pull the trigger again. If a discharge is not initiated, follow the Safety Instructions according to point 19. Disassemble and clean the firing pin or use a low temperature lubricant.
A shot sounds "weak" combined with failure to eject the cartridge case	The cartridge has been activated but no powder load was inside the cartridge case.	Unload the pistol and check that the bullet is not lodged in the barrel. A subsequent shot could cause damage to the barrel.
The spent case has not been ejected	Cartridge chamber, extractor or ammunition dirty, or unsuitable lubricant in low temperature environment.	Clean and wipe the pistol dry or lubricate lightly with a suitable agent. Use new and clean ammunition.

If you cannot clear away any malfunction in the manner described above, entrust the pistol to a competent gunsmith for inspection and repair.

The Company, reserves the right to make any changes it thinks necessary to improve its models or to meet any requirements of manufacturing or commercial nature.

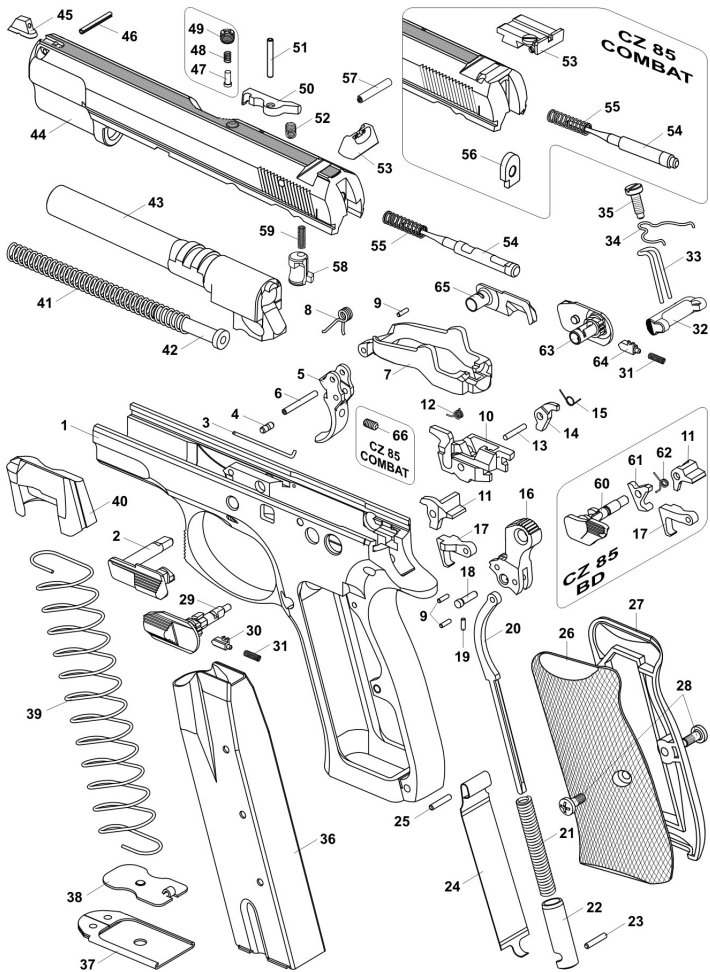
## TECHNICAL SPECIFICATIONS

Model		CZ 85 B CZ 85 BD	CZ 85 COMBAT
Caliber		9 mm Luger 9 x 21 .40 S&W	9 mm Luger
Overall length	[mm]	206	206
Height	[mm]	138	138
Width	[mm]	38	38
Weight with empty magazine	[g]	1000	1000
Barrel length (without glide ramp)	[mm]	114	114
Sight radius	[mm]	155	170
Magazine capacity	9 mm Luger [cartridges]	16 *	16 *
	9 x 21 [cartridges]	16 *	-
	.40 S&W [cartridges]	10 *	-

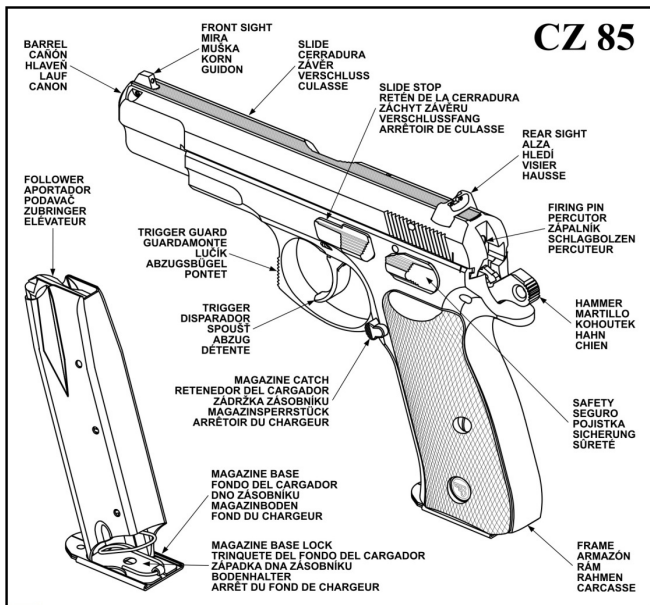
\* To some countries, the CZ 85 pistols are supplied with a reduced magazine capacity in compliance with local laws.

## LIST OF ILLUSTRATIONS

1. The names of basic parts
2. Pistol loading
3. Slide release from its "rear lock-up" position by depressing slide stop
4. Shifting the safety to the "SAFETY-ON" position
5. Release of the hammer in the version equipped with the manual safety
6. Release of the hammer in the version equipped with no manual safety
7. Positioning of the slide during disassembly
8. Slide stop removal using the magazine base to facilitate this operation
9. Firing pin disassembly



# CZ 85



1





4



5



6



7



8



9